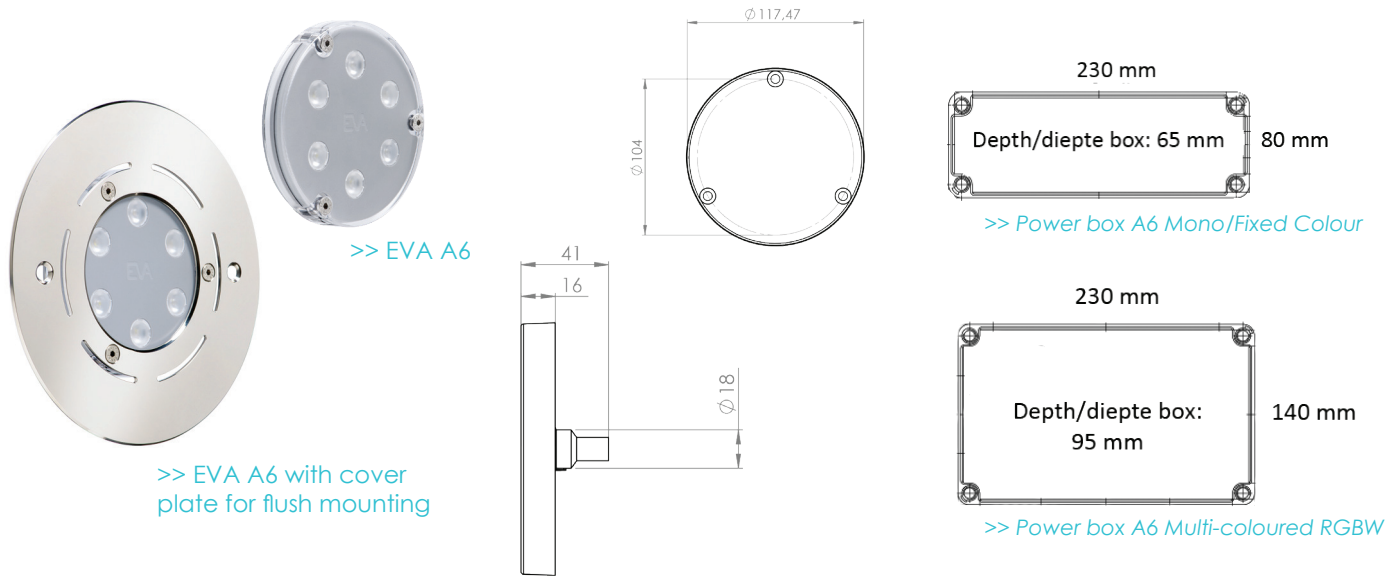


EVA Optic is specialist developer of high-quality LED solutions for swimming pools and sports facilities. All products are developed and manufactured in-house in the Netherlands.



	<b>EVA A6 Mono</b>	<b>EVA A6 RGBW</b>
Type of light	IP68 LED underwater light (zone 0)	IP68 LED underwater light (zone 0)
Applications	Recreational pools, instruction pools, paddling pools	Recreational pools, instruction pools, paddling pools
Max. energy consumption system	20W	20W constant output (10% tolerance) - IPC
Type of LEDs	6x RGBW high-power multi chip LEDs	6x RGBW high-power multi chip LEDs
Light output at 6500K	Comparable to 200W Halogen	Comparable to 200W Halogen
Colour temperatures	Fixed colour light: Light colour to be determined through connection of wires, options: white, blue, sky blue (light blue), green, mediterranean blue (green blue) or red	Multi-coloured light: * RGBW Red/Green/Blue/Daylight white (6500K) * RGBWW Red/Green/Blue/Warm white (2700K)
Beam angle	Multi-angle light beam: narrow beam & wide flood	Multi-angle light beam: narrow beam & wide flood
Max. water temperature	40°C	40°C
Max. installation depth	25m	25m
Diameter	∅ 118 mm	∅ 118 mm
Depth luminaire	17 mm	17 mm
Cable length luminaire	10m (7 wires, whereof 1x1.0mm <sup>2</sup> , 4x0.5mm <sup>2</sup> and 2x0.25mm <sup>2</sup> )	10m (7 wires, whereof 1x1.0mm <sup>2</sup> , 4x0.5mm <sup>2</sup> and 2x0.25mm <sup>2</sup> )
Safety standard compliancy	IEC EN 60598-2-18	IEC EN 60598-2-18
Driver input/output	100-240 Vac / 24Vdc	100-240Vac / 24Vdc
Driving technology	1-10Vdc (dimming)	DMX 512 (colour mode, scenes, dimming, etc.)
Max. cable length	100m (7x2,5mm <sup>2</sup> )	100m (7x2,5mm <sup>2</sup> )
Working temperature power box	-20°C to +40°C	-20°C to +40°C
Protection rating power box	IP65	IP65
Protections power supply	Short circuit, overload, overvoltage, SELV equiv., Class 2 output, double insulation	Short circuit, overload, overvoltage, SELV equiv., Class 2 output, double insulation
Warranty	4 years	4 years

\* Important note! Always provide sufficient space around both luminaire and power box to allow for cooling

EVA Optic LED underwater lights have been used in over 250 public swimming pools and 1000 residential pools around the world. The lights are designed and manufactured in-house in the Netherlands. Our extensive knowledge and experience have enabled us to produce underwater lights that are among the most reliable in the market. The advantages of EVA pool lights:



### **Selection of light colour only at installation** (*Fixed Colour lights*)

Select the light colour only at installation. All EVA Optic underwater lights contain the same RGBW LEDs, even the lights with a fixed colour. Therefore, the light colour need only be selected at installation, when the light's electronics are connected. Do you want to be able to change light colours at any time? With the RGBW Upgrade Kit your lamp is easily upgraded into a DMX controllable multi-colour RGBW underwater lamp.



### **No loss of LED capacity in multi-coloured lights** (*RGBW lights*)

EVA Optic developed Intelligent Power Control (IPC) for multi-coloured RGBW lights. With IPC the LED's full capacity is used at all times. Due to the constant light output, a pool is optimally illuminated regardless of the light colour. Without IPC part of the RGBW light's capacity is lost. Depending on colour choice, this loss can reach up to 75%.



### **Optimal illumination with multi-angle light beam**

The multi-angle light beams provide the optimum combination of powerful beam range and even illumination to the bottom of the pool. The newest LED technology ensures perfect colour mixing without glare.



### **Model tested to international safety standard for underwater lighting**

The EVA Optic underwater lighting models demonstrably meet the international safety standard for underwater lighting IEC EN 60598-2-18. The luminaires were tested for electrical safety (SELV), water resistance (IPX8 / IP68), insulation class (III), impact resistance, mechanical strength, resistance to high pressure, thermal protection and fire safety.



### **Fast Return on Investment**

Smart design, use of the newest developments in LED technology and unique driving functionalities make EVA Optic underwater lights very efficient. When replacing traditional halogen lamps with comparable light output, the average payback time is 1-2 years.